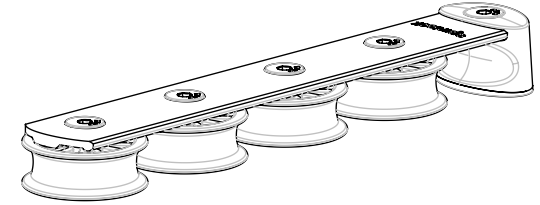
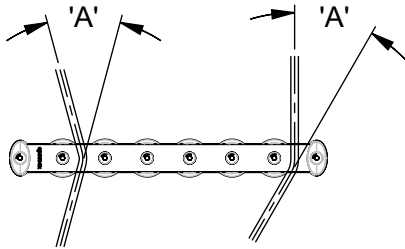
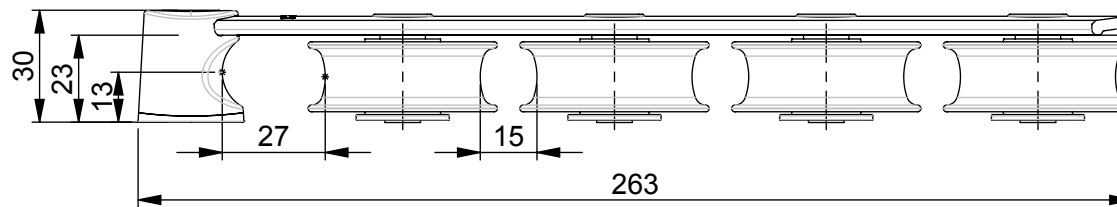
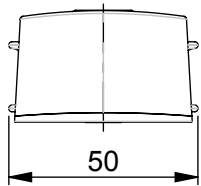
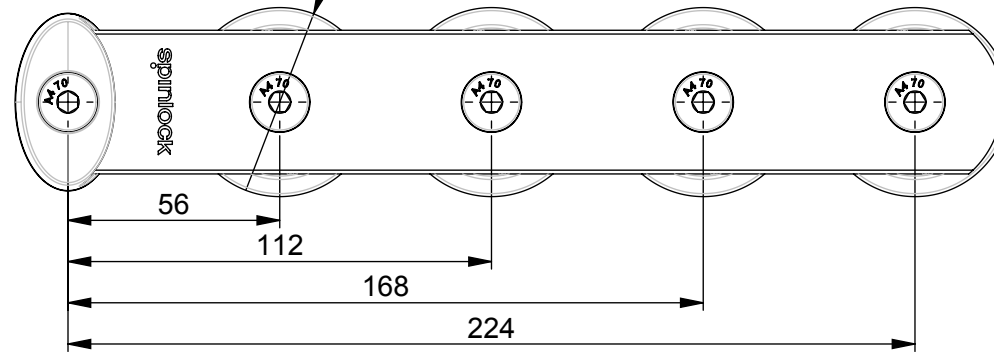


DEFLECTION ANGLE



Ø 50 COMPOSITE SHEAVE (T50/4Y)
ALLOY SHEAVE (T50/4YA)

ROPE DEFLECTION ANGLE 'A' (°)	MAX ROPE TENSION (kg)
10	5740
15	3830
30	1930
45	1310
60	1000
90	710



spinlock
BE ADVENTURE-PROOF



WARNING:
IF USING AS A DRILL TEMPLATE, ENSURE PRINTER SETTINGS ARE ADJUSTED TO ACCOUNT FOR THE DRAWING SCALE AND **ALWAYS** CHECK DIMENSIONS BEFORE DRILLING.



COPYRIGHT:
THIS DRAWING IS PROTECTED BY COPYRIGHT. ANY USE IS FORBIDDEN WITHOUT THE WRITTEN CONSENT OF SPINLOCK.

ALL DIMENSIONS IN MM

SCALE PAGE SIZE DATE

1:2 A4 APR 2018

MAX LINE SIZE
14mm
FASTENERS
M8 CSK
x 5

PRODUCT CODE

T50/4Y
T50/4YA

WEIGHT

320g
390g

SWL PER SHEAVE

1000kg
1000kg

SWL PER UNIT

2000kg
2000kg

T50/4Y

FOR MORE INFO CONTACT
SPT@SPINLOCK.CO.UK